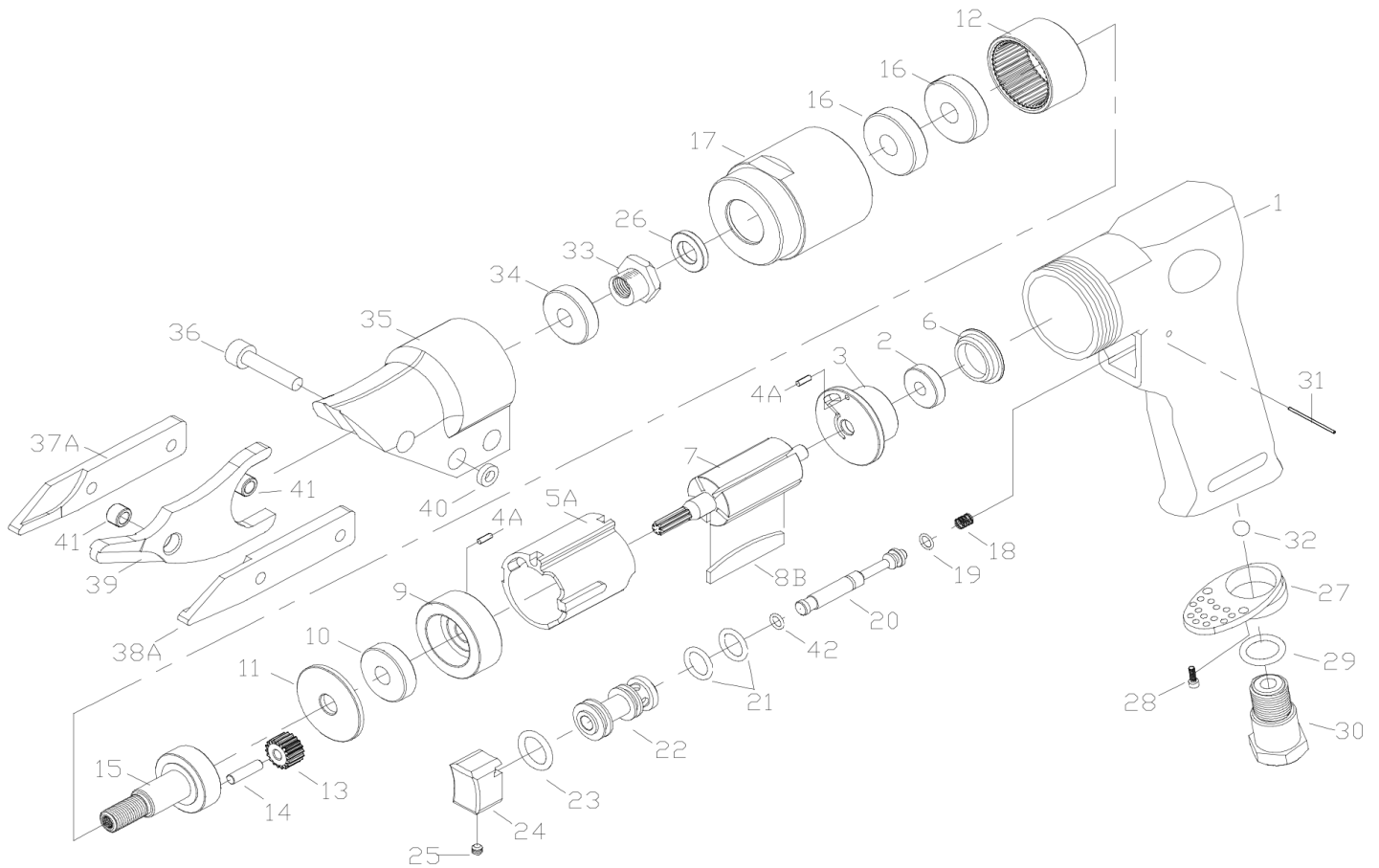


APT670 - Shear



Ref	PCL Part No	Description	Qty
1	APS670/1	Housing	1
2	APS670/2	Ball bearing	1
3	APS670/3	Rear end plate	1
4A	APS670/4A	Pin	2
5A	APS670/5A	Cylinder	1
6	APS670/6	End plate cap	1
7	APS670/7	Rotor	1
8B	APS670/8B	Rotor blade	5
9	APS670/9	Front end plate	1
10	APS670/10	Ball bearing	1
11	APS670/11	Washer	1
12	APS670/12	Internal gear	1
13	APS670/13	Planetary gear	3
14	APS670/14	Planetary gear pin	3
15	APS670/15	Spindle	1
16	APS670/16	Ball bearing	2
17	APS670/17	Clamp nut	1
18	APS670/18	Spring	1
19	APS670/19	O-ring	1
20	APS670/20	Valve stem	1
21	APS670/21	O-ring	2

Ref	PCL Part No	Description	Qty
22	APS670/22	Valve body	1
23	APS670/23	O-ring	1
24	APS670/24	Trigger	1
25	APS670/25	Set screw	1
26	APS670/26	Washer	1
27	APS670/27	Exhaust diffuser	1
28	APS670/28	Screw	2
29	APS670/29	O-ring	1
30	APS670/30	Air inlet	1
31	APS670/31	Spring pin	1
32	APS670/32	Steel ball	1
33	APS670/33	Nut eccentric	1
34	APS670/34	Ball bearing	1
35	APS670/35	Cutter housing	1
36	APS670/36	Lock screw	3
37A	APS670/37A	Right blade shear	1
38A	APS670/38A	Left blade shear	1
39	APS670/39	Centre blade shear	1
40	APS670/40	Lock nut	3
41	APS670/41	Bushing	2
42	APS670/42	O-ring	1