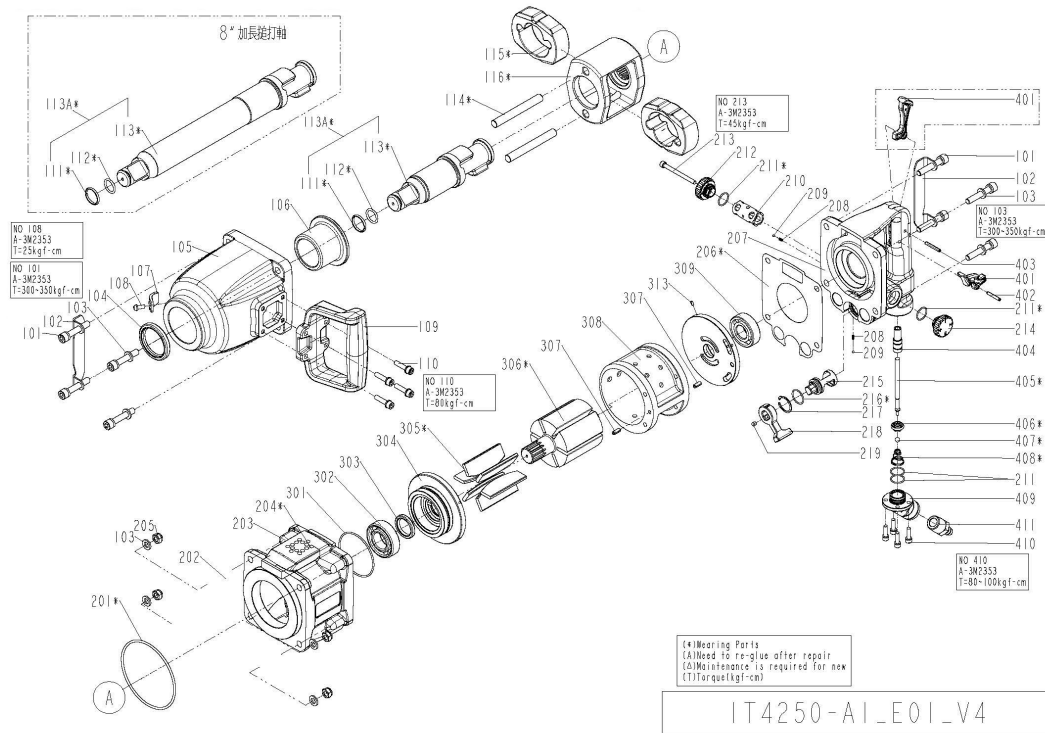


APT266 - 1" Impact Wrench



Ref	PCL Part No	Description	Qty	Ref	PCL Part No	Description	Qty
101	APS266/101	Bolt assembly	4	213	APS266/213	Hex soc HD bolt	1
102	APS266/102	Protector	2	214	APS266/214	Throttle A	1
103	APS266/103	Flat washer	8	215	APS266/215	Reverse valve	1
104	APS266/104	Oil seal	1	216	APS266/216	O-ring	1
105	APS266/105	Hammer case	1	217	APS266/217	In-concentric ring	1
106	APS266/106	Hammer case bushing	1	218	APS266/218	Lever	1
107	APS266/PTR	Protector	1	219	APS266/219	Hex soc HD screw	1
108	APS266/108	Half round HD hex bolt unit	1	301	APS266/301	O-ring	1
109	APS266/109	Handle	1	302	APS266/302	Bearing	1
110	APS266/110	Bolt assembly	4	303	APS266/303	Oil seal	1
111	APS266/111	Socket retainer	1	304	APS266/304	Front bearing plate	1
112	APS266/112	O-ring	1	305	APS266/RBS	Blades	6
113	APS266/113	Anvil	1	306	APS266/306	Rotor	1
114	APS266/114	Hammer pin	2	307	APS266/307	Spring pin	2
115	APS266/HMR	Hammer	2	308	APS266/308	Cylinder	1
116	APS266/HFE	Hammer frame	1	309	APS266/309	Bearing	1
201	APS266/201	O-ring	1	312	APS266/312	Rear end plate	1
202	APS266/202	Housing	1	313	APS266/313	Spring pin	1
203	APS266/203	Thread insert	4	401	APS266/TGR	Trigger	1
204	APS266/204	Muffler	1	402	APS266/402	Spiral pins	1
205	APS266/205	Lock nut	4	403	APS266/403	Spiral pins	1
206	APS266/HGT	Housing gasket	1	404	APS266/404	Bushing	1
207	APS266/207	Rear cover unit	1	405	APS266/405	Pin	1
208	APS266/208	Spring	1	406	APS266/406	Seal unit	1
209	APS266/209	Steel ball	1	407	APS266/407	Ball	1
210	APS266/210	Regulator	1	408	APS266/408	Spring	1
211	APS266/211	O-ring	1	409	APS266/AIT	Air inlet	1
212	APS266/212	Throttle B	1	410	APS266/410	Bolt assembly	4