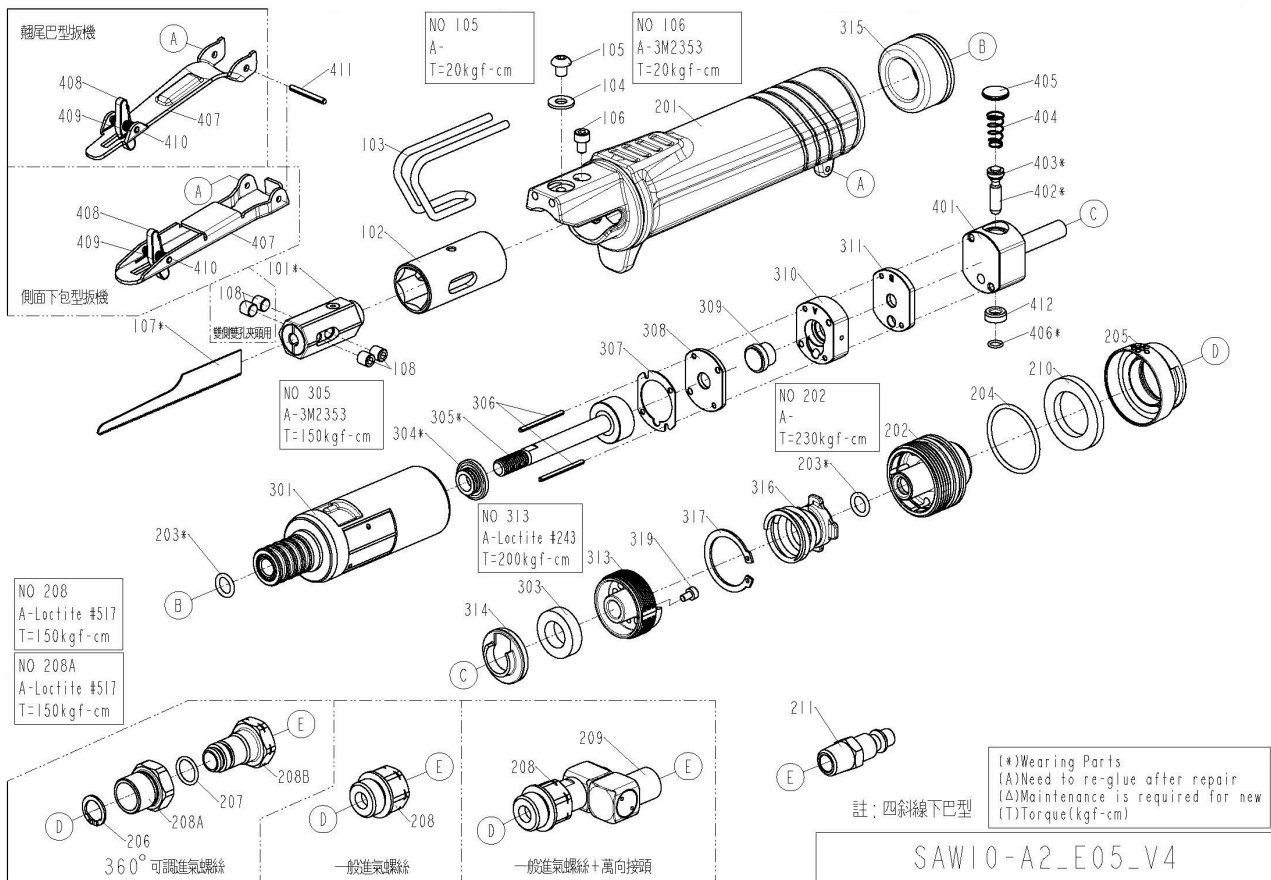


APP600 - Air Body Saw



| Ref | PCL Part No | Description | Qty |
|------|-------------|------------------------|-----|
| 101 | APS600/CLT | Collet | 1 |
| 102 | APS600/102 | Guide blade holder | 1 |
| 103 | APS600/103 | Guard blade | 1 |
| 104 | APS600/104 | Flat washer | 1 |
| 105 | APS600/105 | Half round HD hex bolt | 1 |
| 106 | APS600/106 | Hex soc HD bolt | 1 |
| 107 | APS600/107 | 24T saw blade | 1 |
| 108 | APS600/108 | Hex soc HD screw | 2 |
| 201 | APS600/201 | Housing | 1 |
| 202 | APS600/202 | End cap | 1 |
| 203 | APS600/203 | O-ring | 1 |
| 204 | APS600/204 | O-ring | 1 |
| 205 | APS600/205 | Deflector | 1 |
| 206 | APS600/206 | Ex-concentric ring | 1 |
| 207 | APS600/207 | O-ring | 1 |
| 208A | APS600/208A | Air inlet | 1 |
| 208B | APS600/208B | Air inlet | 1 |
| 210 | APS600/210 | Muffler A | 1 |
| 301 | APS600/301 | Cylinder unit | 1 |
| 302 | APS600/302 | Guide plate | 1 |
| 303 | APS600/303 | Muffler | 1 |
| 304 | APS600/304 | Feed bumper A | 1 |
| 305 | APS600/305 | Piston shaft | 1 |
| 306 | APS600/306 | Spring pin | 2 |

| Ref | PCL Part No | Description | Qty |
|-----|-------------|----------------------------|-----|
| 307 | APS600/307 | Packing | 1 |
| 308 | APS600/308 | Bottom stem valve | 1 |
| 309 | APS600/309 | Discharge sheet | 1 |
| 310 | APS600/310 | Valve assembly | 1 |
| 311 | APS600/311 | Top stem valve | 1 |
| 313 | APS600/313 | Deflector | 1 |
| 314 | APS600/314 | Muffler cap | 1 |
| 315 | APS600/315 | Feed bumper B | 1 |
| 316 | APS600/316 | Spring unit | 1 |
| 317 | APS600/317 | Snap ring | 1 |
| 319 | APS600/319 | Hex soc HD bolt | 1 |
| 401 | APS600/401 | Body throttle valve | 1 |
| 402 | APS600/402 | Valve stem | 1 |
| 403 | APS600/403 | O-ring | 1 |
| 404 | APS600/404 | Valve stem spring | 1 |
| 405 | APS600/405 | Valve seal | 1 |
| 406 | APS600/406 | O-ring | 1 |
| 407 | APS600/407 | Trigger | 1 |
| 408 | APS600/408 | Safety | 1 |
| 409 | APS600/409 | Spring | 1 |
| 410 | APS600/410 | Spring pin | 1 |
| 411 | APS600/411 | Spring pin | 1 |
| 412 | APS600/412 | Lining ring-throttle valve | 1 |